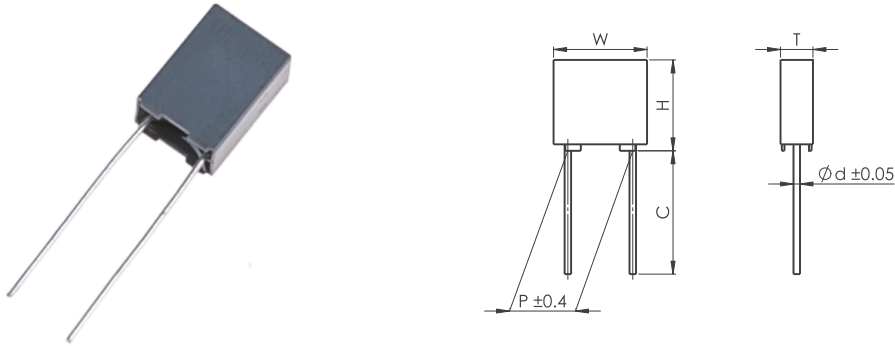


# MKT21B 塑料外壳金属化聚酯膜叠片式电容器 (P=0.5)

Box-type metallized polyester film capacitor (Stacked version)

## 外形图 Outline Drawing



单位 Unit: mm

## 特点 Features

- 金属化聚酯膜，叠片式结构
- 塑料外壳 (UL94 V-0)，环氧填充
- 抗脉冲能力强
- Metallized polyester film, stacked construction
- Plastic case (UL94 V-0), epoxy resin sealing
- High dv/dt ability

## 主要用途 Typical Applications

- 旁路，隔直，耦合，退耦
- 脉冲，逻辑，定时，紧凑型节能灯
- LCD监视器整流，汽车直流马达抑制干扰
- By-passing, blocking, coupling, decoupling
- Pulse logic, timing, compact fluorescent lamps
- Inverter for LCD monitors, automotive DC motor suppression

## 技术要求 Specifications

引用标准 Reference Standard	GB/T 7332 (IEC 60384-2)		
气候类别 Climatic Category	55/125/56		
额定温度 Rated Temperature	85°C		
工作温度范围 Operating Temperature Range	-55°C~125°C		
额定电压 Rated Voltage	50/63V, 100V, 250V, 400V, 500V, 630V, 700V		
电容范围 Capacitance Range	0.0010 μF ~ 2.2 μF		
电容偏差 Capacitance Tolerance	±5% (J), ±10% (K), ±20% (M)		
耐电压 Voltage Proof	1.4U <sub>R</sub> (5s)		
损耗角正切 Dissipation Factor	Frequency	C <sub>N</sub> ≤ 0.1 μF	C <sub>N</sub> > 0.1 μF
	1kHz	≤ 1.0%	≤ 1.0%
	10kHz	≤ 1.5%	≤ 1.5%
	100kHz	≤ 3.0%	--
绝缘电阻 Insulation Resistance	U <sub>R</sub> > 100V	R ≥ 15000MΩ, C <sub>N</sub> ≤ 0.33 μF RC <sub>N</sub> ≥ 5000s, C <sub>N</sub> > 0.33 μF	(20°C, 100V, 1min)
	U <sub>R</sub> ≤ 100V	R ≥ 7500MΩ, C <sub>N</sub> ≤ 0.33 μF RC <sub>N</sub> ≥ 2500s, 0.33 μF < C <sub>N</sub> ≤ 1 μF RC <sub>N</sub> ≥ 1000s, C <sub>N</sub> > 1 μF	(20°C, 50V, 1min)
最大脉冲爬升速率 Maximum Pulse Rise Time (dV/dt): 若实际工作电压U比额定电压U <sub>R</sub> 低，电容器可工作在更高的dV/dt场合，这样dV/dt允许值应为右表值乘以U <sub>R</sub> /U。 If the working voltage (U) is lower than the rated voltage (U <sub>R</sub> ), the capacitor can be worked at a higher dV/dt. In this case, the maximum allowed dV/dt is obtain by multiplying the right value with U <sub>R</sub> /U.	U <sub>R</sub> (V)	dV/dt (V/μs)	
		Pattern I	Pattern II
	50/63	250	75
	100	300	85
	250	400	100
	400	600	150
	500	700	200
	630	800	
700	--	250	

■ 外形尺寸 Dimensions (mm)

电容器厚度 (Capacitor Thickness) T	≤3.5	>3.5
外形尺寸偏差 Dimension Tolerance (W, H, T)	±0.2	±0.4

Pattern II ( Reduced sizes )

50Vdc (30Vac) / 63Vdc (40Vac)					
C <sub>N</sub> (μF)	W	H	T	P	d
0.15	7.2	6.5	2.5	5.0	0.5
0.18	7.2	6.5	2.5	5.0	0.5
0.22	7.2	6.5	2.5	5.0	0.5
0.27	7.2	6.5	2.5	5.0	0.5
0.33	7.2	7.5	3.5	5.0	0.5
0.39	7.2	7.5	3.5	5.0	0.5
0.47	7.2	7.5	3.5	5.0	0.5
0.56	7.2	9.5	4.5	5.0	0.6
0.68	7.2	9.5	4.5	5.0	0.6
0.82	7.2	9.5	4.5	5.0	0.6
1.0	7.2	10.0	5.0	5.0	0.6
1.5	7.2	11.0	6.0	5.0	0.6
2.2	7.2	11.0	6.0	5.0	0.6

100Vdc (63Vac)					
C <sub>N</sub> (μF)	W	H	T	P	d
0.10	7.2	6.5	2.5	5.0	0.5
0.12	7.2	6.5	2.5	5.0	0.5
0.15	7.2	7.5	3.5	5.0	0.5
0.18	7.2	7.5	3.5	5.0	0.5
0.22	7.2	7.5	3.5	5.0	0.5
0.27	7.2	9.5	4.5	5.0	0.6
0.33	7.2	9.5	4.5	5.0	0.6
0.39	7.2	9.5	4.5	5.0	0.6
0.47	7.2	10.0	5.0	5.0	0.6
0.56	7.2	10.0	5.0	5.0	0.6
0.68	7.2	11.0	6.0	5.0	0.6
0.82	7.2	11.0	6.0	5.0	0.6
1.0	7.2	11.0	6.0	5.0	0.6

250Vdc (140Vac)					
C <sub>N</sub> (μF)	W	H	T	P	d
0.022	7.2	6.5	2.5	5.0	0.5
0.027	7.2	6.5	2.5	5.0	0.5
0.033	7.2	6.5	2.5	5.0	0.5
0.039	7.2	7.5	3.5	5.0	0.5
0.047	7.2	7.5	3.5	5.0	0.5
0.056	7.2	7.5	3.5	5.0	0.5
0.068	7.2	7.5	3.5	5.0	0.5
0.082	7.2	9.5	4.5	5.0	0.6
0.10	7.2	9.5	4.5	5.0	0.6
0.12	7.2	9.5	4.5	5.0	0.6
0.15	7.2	10.0	5.0	5.0	0.6
0.18	7.2	11.0	6.0	5.0	0.6
0.22	7.2	11.0	6.0	5.0	0.6

400Vdc (160Vac)					
C <sub>N</sub> (μF)	W	H	T	P	d
0.0056	7.2	6.5	2.5	5.0	0.5
0.0068	7.2	6.5	2.5	5.0	0.5
0.0082	7.2	6.5	2.5	5.0	0.5
0.010	7.2	6.5	2.5	5.0	0.5
0.012	7.2	6.5	2.5	5.0	0.5
0.015	7.2	7.5	3.5	5.0	0.5
0.018	7.2	7.5	3.5	5.0	0.5
0.022	7.2	7.5	3.5	5.0	0.5
0.027	7.2	7.5	3.5	5.0	0.5
0.033	7.2	9.5	4.5	5.0	0.6
0.039	7.2	9.5	4.5	5.0	0.6
0.047	7.2	9.5	4.5	5.0	0.6
0.051	7.2	10.0	5.0	5.0	0.6
0.056	7.2	11.0	6.0	5.0	0.6
0.068	7.2	11.0	6.0	5.0	0.6
0.082	7.2	11.0	6.0	5.0	0.6
0.10	7.2	11.0	6.0	5.0	0.6

500/630Vdc (220Vac)					
C <sub>N</sub> (μF)	W	H	T	P	d
0.0018	7.2	6.5	2.5	5.0	0.5
0.0022	7.2	6.5	2.5	5.0	0.5
0.0027	7.2	6.5	2.5	5.0	0.5
0.0033	7.2	6.5	2.5	5.0	0.5
0.0039	7.2	6.5	2.5	5.0	0.5
0.0047	7.2	6.5	2.5	5.0	0.5
0.0056	7.2	7.5	3.5	5.0	0.5
0.0068	7.2	7.5	3.5	5.0	0.5
0.0082	7.2	7.5	3.5	5.0	0.5
0.010	7.2	7.5	3.5	5.0	0.5
0.012	7.2	9.5	4.5	5.0	0.6
0.015	7.2	9.5	4.5	5.0	0.6
0.018	7.2	9.5	4.5	5.0	0.6
0.022	7.2	10.0	5.0	5.0	0.6
0.027	7.2	11.0	6.0	5.0	0.6
0.033	7.2	11.0	6.0	5.0	0.6

700Vdc (250Vac)					
C <sub>N</sub> (μF)	W	H	T	P	d
0.0010	7.2	6.5	2.5	5.0	0.5
0.0012	7.2	6.5	2.5	5.0	0.5
0.0015	7.2	6.5	2.5	5.0	0.5
0.0018	7.2	6.5	2.5	5.0	0.5
0.0022	7.2	6.5	2.5	5.0	0.5
0.0027	7.2	6.5	2.5	5.0	0.5
0.0033	7.2	7.5	3.5	5.0	0.5
0.0039	7.2	7.5	3.5	5.0	0.5
0.0047	7.2	7.5	3.5	5.0	0.5
0.0056	7.2	7.5	3.5	5.0	0.5
0.0068	7.2	7.5	3.5	5.0	0.5
0.0082	7.2	9.5	4.5	5.0	0.6
0.010	7.2	9.5	4.5	5.0	0.6
0.012	7.2	9.5	4.5	5.0	0.6
0.015	7.2	10.0	5.0	5.0	0.6
0.018	7.2	11.0	6.0	5.0	0.6
0.022	7.2	11.0	6.0	5.0	0.6

■ 外形尺寸 Dimensions (mm)

50Vdc (30Vac) / 63Vdc (40Vac)					
C <sub>N</sub> (μF)	W	H	T	P	d
0.0010	7.2	6.5	2.5	5.0	0.5
0.0012	7.2	6.5	2.5	5.0	0.5
0.0015	7.2	6.5	2.5	5.0	0.5
0.0018	7.2	6.5	2.5	5.0	0.5
0.0022	7.2	6.5	2.5	5.0	0.5
0.0027	7.2	6.5	2.5	5.0	0.5
0.0033	7.2	6.5	2.5	5.0	0.5
0.0039	7.2	6.5	2.5	5.0	0.5
0.0047	7.2	6.5	2.5	5.0	0.5
0.0056	7.2	6.5	2.5	5.0	0.5
0.0068	7.2	6.5	2.5	5.0	0.5
0.0082	7.2	6.5	2.5	5.0	0.5
0.010	7.2	6.5	2.5	5.0	0.5
0.012	7.2	6.5	2.5	5.0	0.5
0.015	7.2	6.5	2.5	5.0	0.5
0.018	7.2	6.5	2.5	5.0	0.5
0.022	7.2	6.5	2.5	5.0	0.5
0.027	7.2	6.5	2.5	5.0	0.5
0.033	7.2	6.5	2.5	5.0	0.5
0.039	7.2	6.5	2.5	5.0	0.5
0.047	7.2	6.5	2.5	5.0	0.5
0.056	7.2	6.5	2.5	5.0	0.5
0.068	7.2	6.5	2.5	5.0	0.5
0.082	7.2	6.5	2.5	5.0	0.5
0.10	7.2	6.5	2.5	5.0	0.5
0.12	7.2	6.5	2.5	5.0	0.5
0.15	7.2	7.5	3.5	5.0	0.5
0.18	7.2	7.5	3.5	5.0	0.5
0.22	7.2	7.5	3.5	5.0	0.5
0.27	7.2	9.5	4.5	5.0	0.6
0.33	7.2	9.5	4.5	5.0	0.6
0.39	7.2	9.5	4.5	5.0	0.6
0.47	7.2	10.0	5.0	5.0	0.6
0.56	7.2	10.0	5.0	5.0	0.6
0.68	7.2	11.0	6.0	5.0	0.6
0.82	7.2	11.0	6.0	5.0	0.6
1.0	7.2	11.0	6.0	5.0	0.6

100Vdc (63Vac)					
C <sub>N</sub> (μF)	W	H	T	P	d
0.0010	7.2	6.5	2.5	5.0	0.5
0.0012	7.2	6.5	2.5	5.0	0.5
0.0015	7.2	6.5	2.5	5.0	0.5
0.0018	7.2	6.5	2.5	5.0	0.5
0.0022	7.2	6.5	2.5	5.0	0.5
0.0027	7.2	6.5	2.5	5.0	0.5
0.0033	7.2	6.5	2.5	5.0	0.5
0.0039	7.2	6.5	2.5	5.0	0.5
0.0047	7.2	6.5	2.5	5.0	0.5
0.0056	7.2	6.5	2.5	5.0	0.5
0.0068	7.2	6.5	2.5	5.0	0.5
0.0082	7.2	6.5	2.5	5.0	0.5
0.010	7.2	6.5	2.5	5.0	0.5
0.012	7.2	6.5	2.5	5.0	0.5
0.015	7.2	6.5	2.5	5.0	0.5
0.018	7.2	6.5	2.5	5.0	0.5
0.022	7.2	6.5	2.5	5.0	0.5
0.027	7.2	6.5	2.5	5.0	0.5
0.033	7.2	6.5	2.5	5.0	0.5
0.039	7.2	6.5	2.5	5.0	0.5
0.047	7.2	6.5	2.5	5.0	0.5
0.056	7.2	6.5	2.5	5.0	0.5
0.068	7.2	6.5	2.5	5.0	0.5
0.082	7.2	6.5	2.5	5.0	0.5
0.10	7.2	7.5	3.5	5.0	0.5
0.12	7.2	9.5	4.5	5.0	0.6
0.15	7.2	9.5	4.5	5.0	0.6
0.18	7.2	9.5	4.5	5.0	0.6
0.22	7.2	10.0	5.0	5.0	0.6
0.27	7.2	10.0	5.0	5.0	0.6
0.33	7.2	11.0	6.0	5.0	0.6
0.39	7.2	11.0	6.0	5.0	0.6
0.47	7.2	11.0	6.0	5.0	0.6
0.56	7.2	11.0	6.0	5.0	0.6

250Vdc (160Vac)					
C <sub>N</sub> (μF)	W	H	T	P	d
0.0010	7.2	6.5	2.5	5.0	0.5
0.0012	7.2	6.5	2.5	5.0	0.5
0.0015	7.2	6.5	2.5	5.0	0.5
0.0018	7.2	6.5	2.5	5.0	0.5
0.0022	7.2	6.5	2.5	5.0	0.5
0.0027	7.2	6.5	2.5	5.0	0.5
0.0033	7.2	6.5	2.5	5.0	0.5
0.0039	7.2	6.5	2.5	5.0	0.5
0.0047	7.2	6.5	2.5	5.0	0.5
0.0056	7.2	6.5	2.5	5.0	0.5
0.0068	7.2	6.5	2.5	5.0	0.5
0.0082	7.2	6.5	2.5	5.0	0.5
0.010	7.2	6.5	2.5	5.0	0.5
0.012	7.2	6.5	2.5	5.0	0.5
0.015	7.2	6.5	2.5	5.0	0.5
0.018	7.2	6.5	2.5	5.0	0.5
0.022	7.2	7.5	3.5	5.0	0.5
0.027	7.2	7.5	3.5	5.0	0.5
0.033	7.2	7.5	3.5	5.0	0.5
0.039	7.2	7.5	3.5	5.0	0.5
0.047	7.2	9.5	4.5	5.0	0.6
0.056	7.2	9.5	4.5	5.0	0.6
0.068	7.2	9.5	4.5	5.0	0.6
0.082	7.2	10.0	5.0	5.0	0.6
0.10	7.2	10.0	5.0	5.0	0.6
0.12	7.2	11.0	6.0	5.0	0.6
0.15	7.2	11.0	6.0	5.0	0.6

## ■ 外形尺寸 Dimensions (mm)

400Vdc (200Vac)					
C <sub>N</sub> (μF)	W	H	T	P	d
0.0010	7.2	6.5	2.5	5.0	0.5
0.0012	7.2	6.5	2.5	5.0	0.5
0.0015	7.2	6.5	2.5	5.0	0.5
0.0018	7.2	6.5	2.5	5.0	0.5
0.0022	7.2	6.5	2.5	5.0	0.5
0.0027	7.2	6.5	2.5	5.0	0.5
0.0033	7.2	6.5	2.5	5.0	0.5
0.0039	7.2	6.5	2.5	5.0	0.5
0.0047	7.2	6.5	2.5	5.0	0.5
0.0056	7.2	7.5	3.5	5.0	0.5
0.0068	7.2	7.5	3.5	5.0	0.5
0.0082	7.2	7.5	3.5	5.0	0.5
0.010	7.2	7.5	3.5	5.0	0.5
0.012	7.2	9.5	4.5	5.0	0.6
0.015	7.2	9.5	4.5	5.0	0.6
0.018	7.2	9.5	4.5	5.0	0.6
0.022	7.2	10.0	5.0	5.0	0.6
0.027	7.2	11.0	6.0	5.0	0.6
0.033	7.2	11.0	6.0	5.0	0.6
0.039	7.2	11.0	6.0	5.0	0.6
0.047	7.2	11.0	6.0	5.0	0.6

500Vdc (220Vac)					
C <sub>N</sub> (μF)	W	H	T	P	d
0.0010	7.2	6.5	2.5	5.0	0.5
0.0012	7.2	6.5	2.5	5.0	0.5
0.0015	7.2	6.5	2.5	5.0	0.5
0.0018	7.2	6.5	2.5	5.0	0.5
0.0022	7.2	6.5	2.5	5.0	0.5
0.0027	7.2	6.5	2.5	5.0	0.5
0.0033	7.2	7.5	3.5	5.0	0.5
0.0039	7.2	7.5	3.5	5.0	0.5
0.0047	7.2	7.5	3.5	5.0	0.5
0.0056	7.2	7.5	3.5	5.0	0.5
0.0068	7.2	9.5	4.5	5.0	0.6
0.0082	7.2	9.5	4.5	5.0	0.6
0.010	7.2	9.5	4.5	5.0	0.6
0.012	7.2	9.5	4.5	5.0	0.6
0.015	7.2	10.0	5.0	5.0	0.6
0.018	7.2	11.0	6.0	5.0	0.6
0.022	7.2	11.0	6.0	5.0	0.6
0.027	7.2	11.0	6.0	5.0	0.6

630Vdc (220Vac)					
C <sub>N</sub> (μF)	W	H	T	P	d
0.0010	7.2	6.5	2.5	5.0	0.5
0.0012	7.2	6.5	2.5	5.0	0.5
0.0015	7.2	6.5	2.5	5.0	0.5
0.0018	7.2	7.5	3.5	5.0	0.5
0.0022	7.2	7.5	3.5	5.0	0.5
0.0027	7.2	7.5	3.5	5.0	0.5
0.0033	7.2	7.5	3.5	5.0	0.5
0.0039	7.2	7.5	3.5	5.0	0.5
0.0047	7.2	9.5	4.5	5.0	0.6
0.0056	7.2	9.5	4.5	5.0	0.6
0.0068	7.2	9.5	4.5	5.0	0.6
0.0082	7.2	9.5	4.5	5.0	0.6
0.010	7.2	10.0	5.0	5.0	0.6
0.012	7.2	11.0	6.0	5.0	0.6
0.015	7.2	11.0	6.0	5.0	0.6
0.018	7.2	11.0	6.0	5.0	0.6

注：上表中未包含的产品规格可根据用户要求进行设计和制造

Note: Product specifications not included in this table can be designed and manufactured according to user requirements